



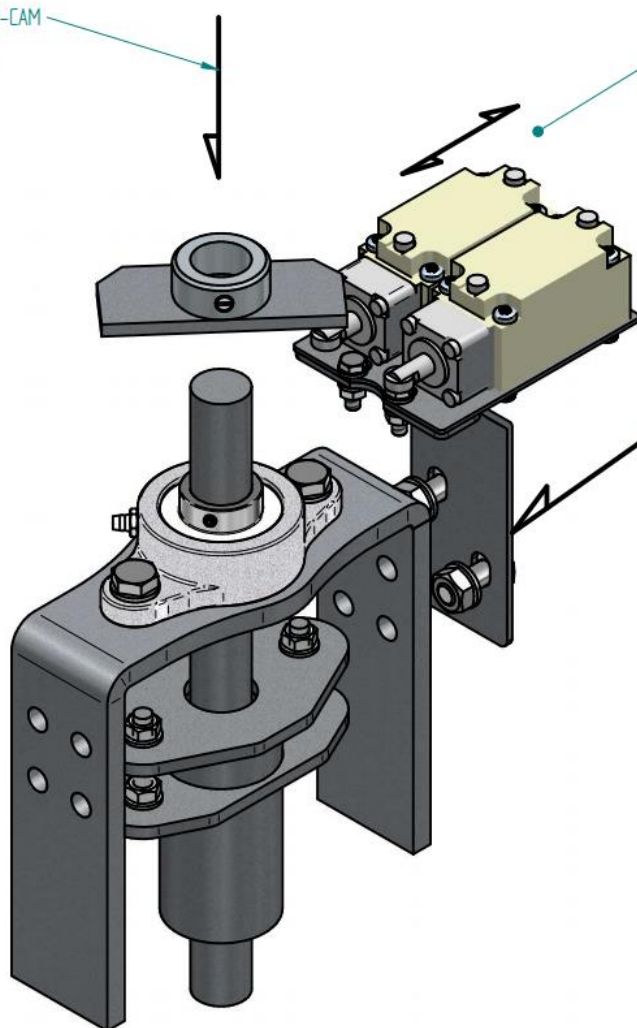
HOOGENBOOM

SETTING THE STANDARD SINCE 1983

2) ASSEMBLE SWITCH-CAM
ON THE SHAFT
AND ADJUST HEIGHT

SWITCHES ARE
SEPARATELY
ADJUSTABLE

1) ASSEMBLE SWITCHES
ON VALVE BEARING SUPPORT



HOOGENBOOM VALVES B.V.

Amfoor 1 - 4421 SE Kapelle (NL) | T +31 113 561 967 | F +31 113 563 267 | E info@hoogenboomvalves.com

