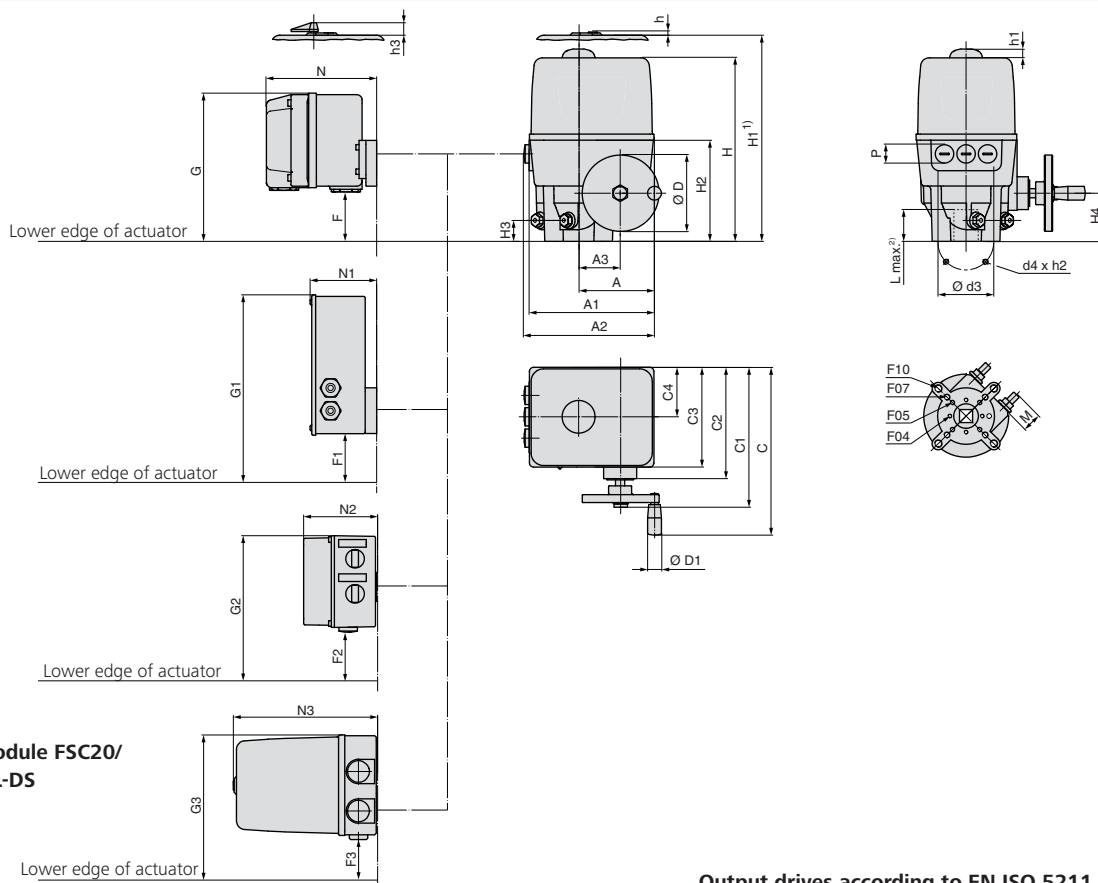


Dimensions Part-turn actuators

Option:
KS1 compact connector



Output drives according to EN ISO 5211
Dimensions of couplings see overleaf

1) Dimensions for actuator with aluminium hood

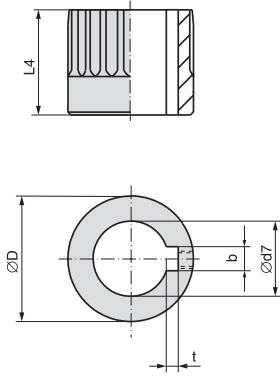
2) Max. fitting dimension

Dimensions	EQ 40 – EQ 150				
	EN ISO 5211	F04	F05	F07	F10
A			98		
A1			162		
A2			169		
A3			54		
C			220		
C1			183		
C2			146		
C3			131		
C4			65		
Ø D			100		
Ø D1			18		
F			65		
F1			70		
F2			53		
F3			64		
G			194		
G1			254		
G2			180		
G3			201		
H			246		
H1 ¹⁾			274		
H2			133		
H3			27.5		
H4			63		
L max. ²⁾			41		
M		min. 12.9 (~ -15°)	Standard 19 (~ -90°)		max. 25.1 (~ +15°)
N			144		
N1			87		
N2			96		
N3			188		
P			3 x M20 x 1.5		
Ø d3		42	50	70	102
Ø d4		4 x M5	4 x M6	4 x M8	4 x M10
h			4		
h1			12		
h2		8	9	12	15
h3			21		

We reserve the right to alter data according to improvements made. Previous documents become invalid with the issue of this document.

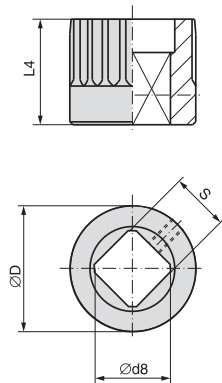
Dimensions Couplings according to EN ISO 5211

Bore according to
EN ISO 5211
With keyway according to
DIN 6885-1



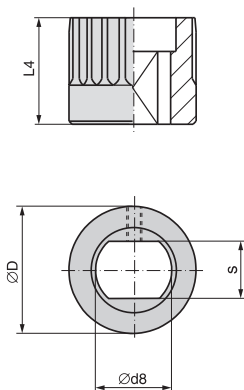
Dimensions		EQ 40 – EQ 150			
EN ISO 5211		F04, F05, F07, F10			
Ø D		31.75			
L4		35			
Ø d7 H8 ²⁾		12	14	18	
Ø d7 H8	from	10	12	17	
	to	12	17	20	
b JS9 ¹⁾		4	5	6	
t		1.8 +0.1	2.3 +0.1	2.8 +0.1	

Square bore
according to EN ISO 5211



Dimensions		EQ 40 – EQ 150			
EN ISO 5211		F04, F05, F07, F10			
Ø D		31.75			
L4		35			
s H11 ²⁾		9	11	14	17
s H11 max.		17			
Ø d8 max.		12.1	14.1	18.1	22.2

Bore with two-flats
according to EN ISO 5211



Dimensions		EQ 40 – EQ 150			
EN ISO 5211		F04, F05, F07, F10			
Ø D		31.75			
L4		35			
s H11 ²⁾		9	11	14	17
s H11 max.		17			
Ø d8 max.		12.1	14.1	18.1	22.2

1) Dimensions depend on Ø d7, refer to DIN 6885-1

2) Recommended size according to EN ISO 5211