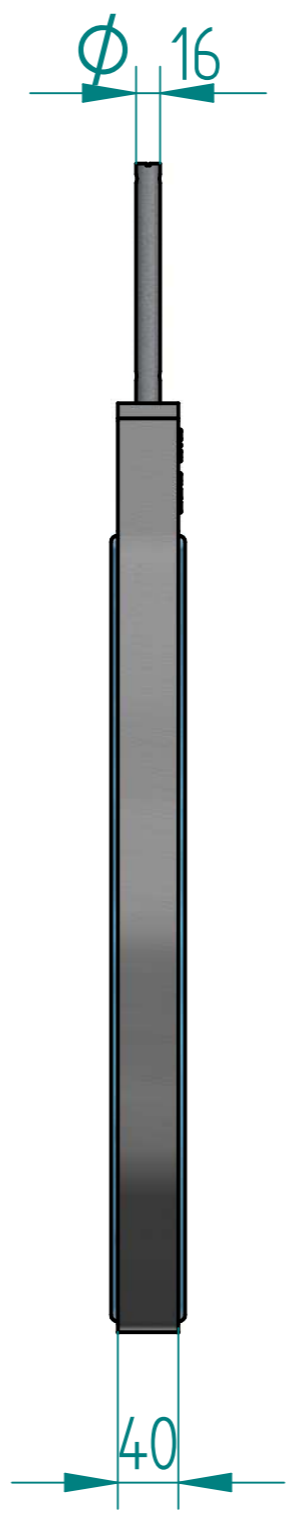
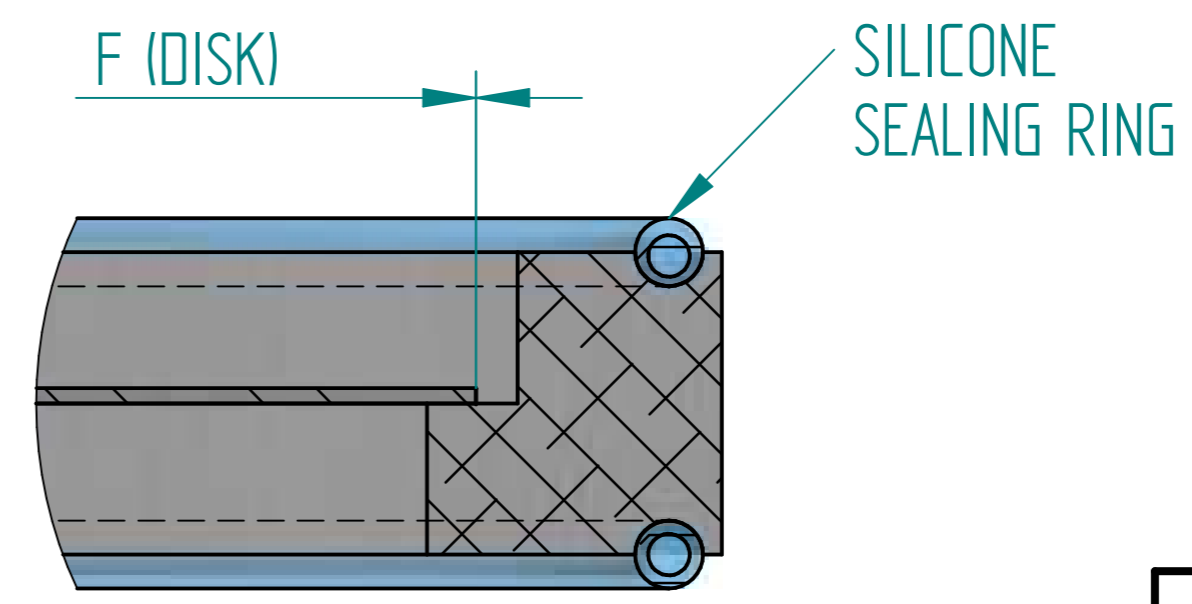
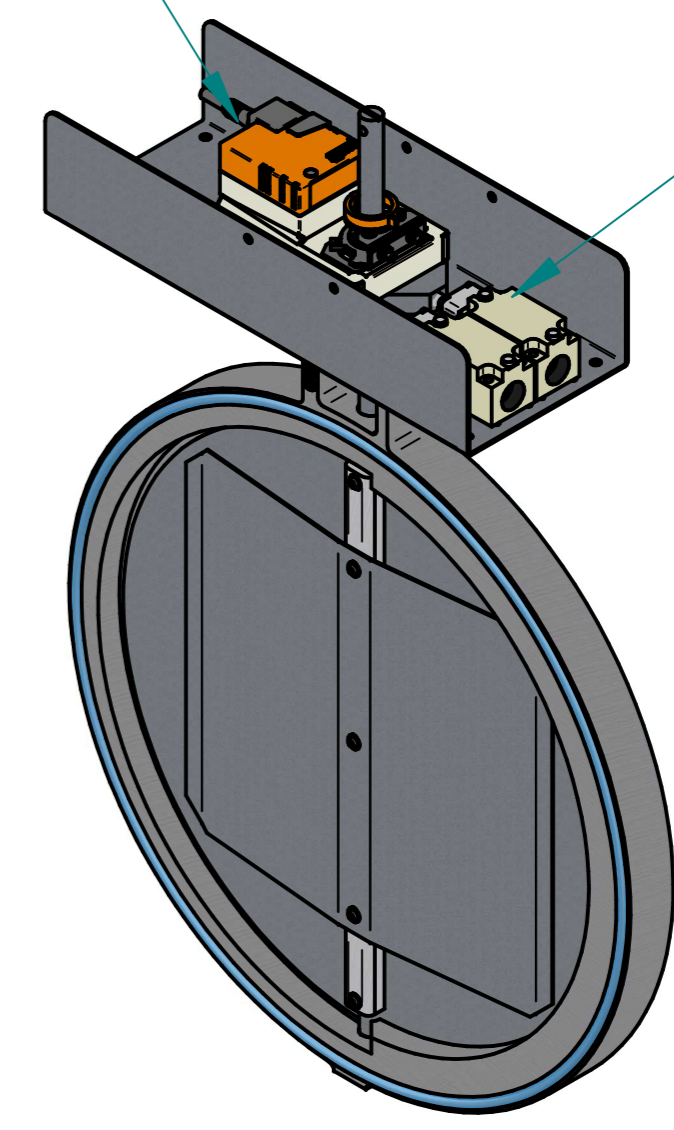


SECTION X-X



SEVERAL ACTUATORS POSSIBLE



DETAIL Y

	A	B	E1	E2	F	G
<b>Nw 200</b>	171	225	202	220	165	147
<b>Nw 250</b>	221	275	252	270	215	197
<b>Nw 300</b>	271	325	302	320	265	247
<b>Nw 350</b>	321	375	352	370	315	297
<b>Nw 400</b>	371	425	402	420	365	347
<b>Nw 500</b>	471	525	502	520	465	447
<b>Nw 600</b>	571	625	602	620	565	547
<b>Nw 700</b>	671	725	702	720	665	647

HOOGENBOOM VALVES

www.hoogenboomvalves.com | info@hoogenboomvalves.com

Amfoor 1 | T +31 (0)113 561 967  
 4421 SE Kapelle | Netherlands | F +31 (0)113 563 267

**H HOOGENBOOM**  
 SETTING THE STANDARD SINCE 1983